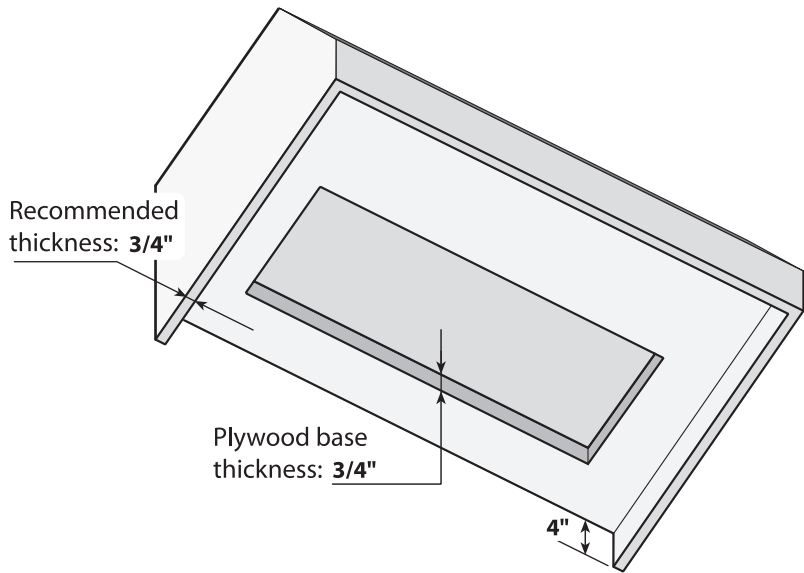
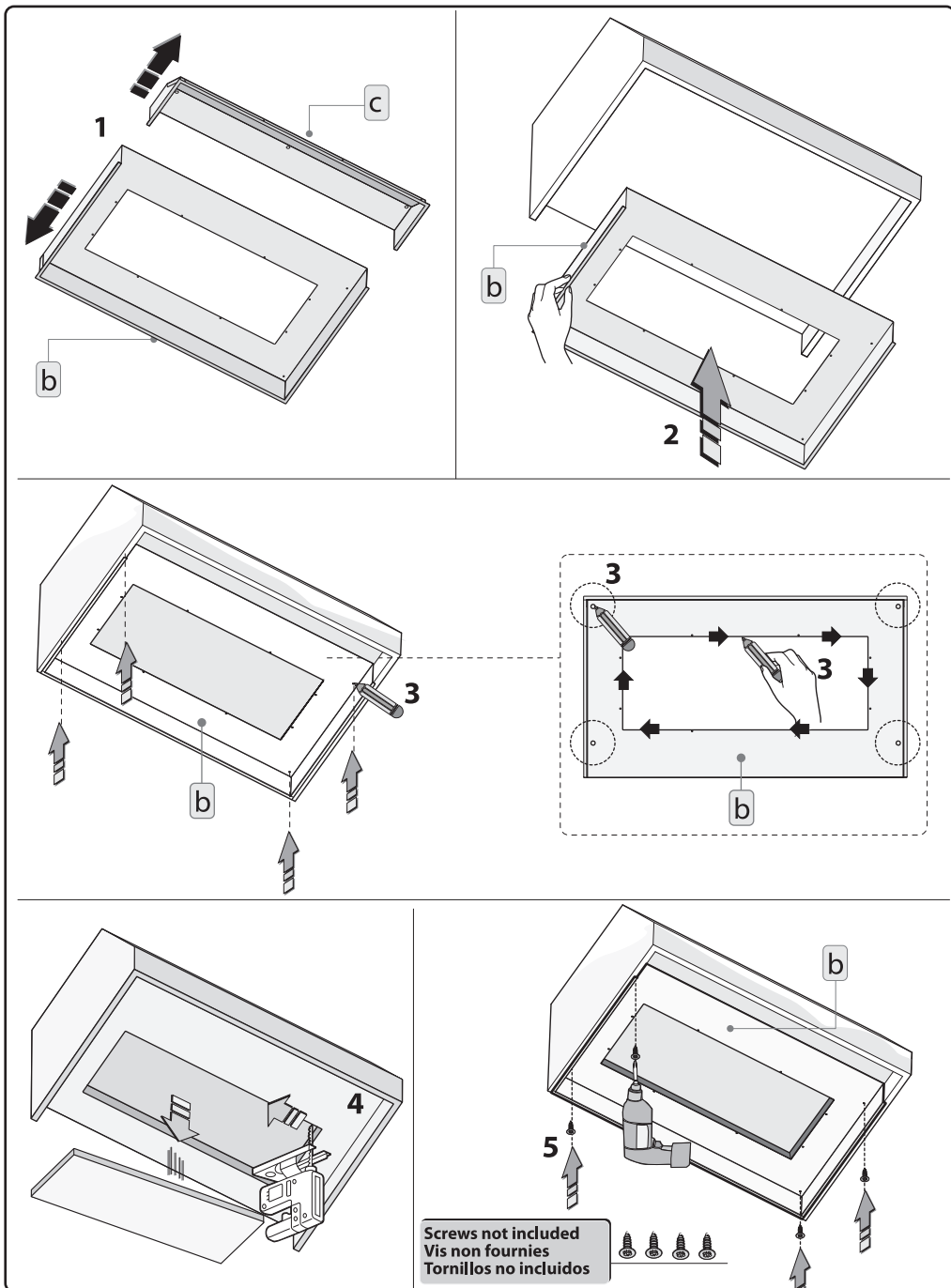


* Dimension does not include 3/8" wide flanges

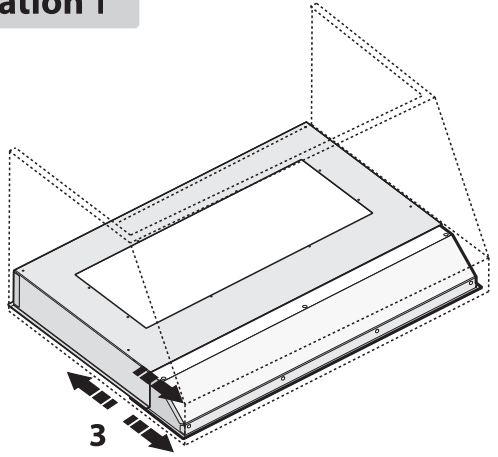
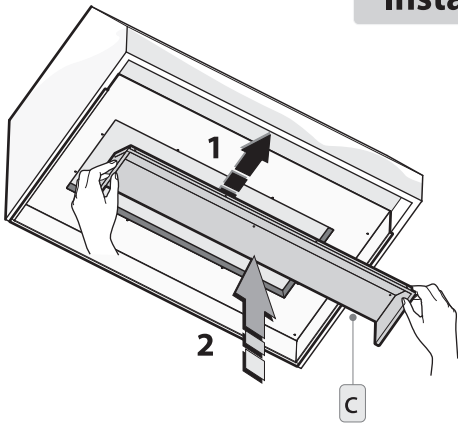
Liner Model	Custom Hood Nominal Width	Adjustable Depth *		Width A*
		Without Backboard	With Backboard	
XOILINER30	30"	17 1/2" to 20 1/2"	17 1/8" to 20 1/8"	28 3/8"
XOILINER36	36"	17 1/2" to 20 1/2"	17 1/8" to 20 1/8"	34 3/8"



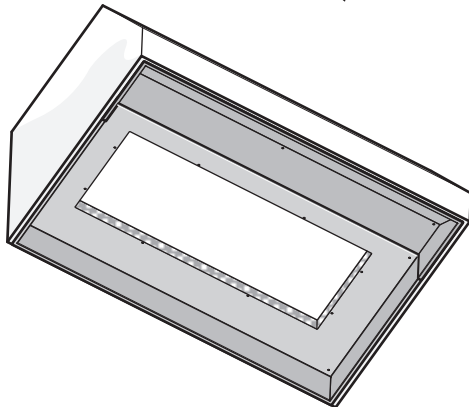
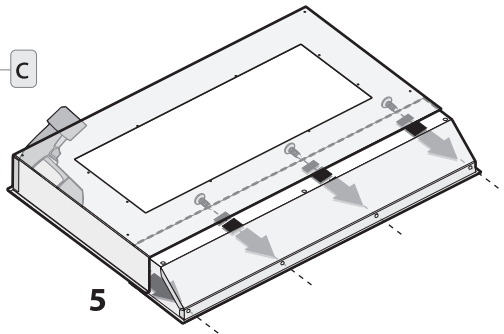
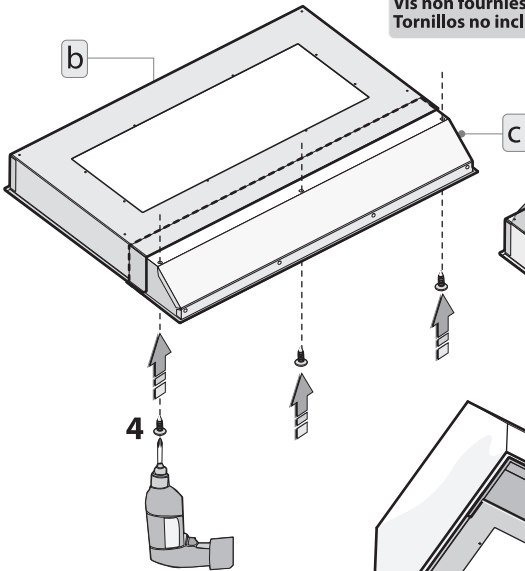
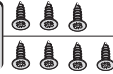
We recommend the base of the custom hood should be $\frac{3}{4}$ inch thick ply wood. We recommend the sides, front and backboard (if included) of the custom hood to be $\frac{3}{4}$ " thick, assuming standard cabinet widths. The INSIDE DEPTH shown in the table above assumes a minimum cabinet backboard thickness of $\frac{3}{8}$ '



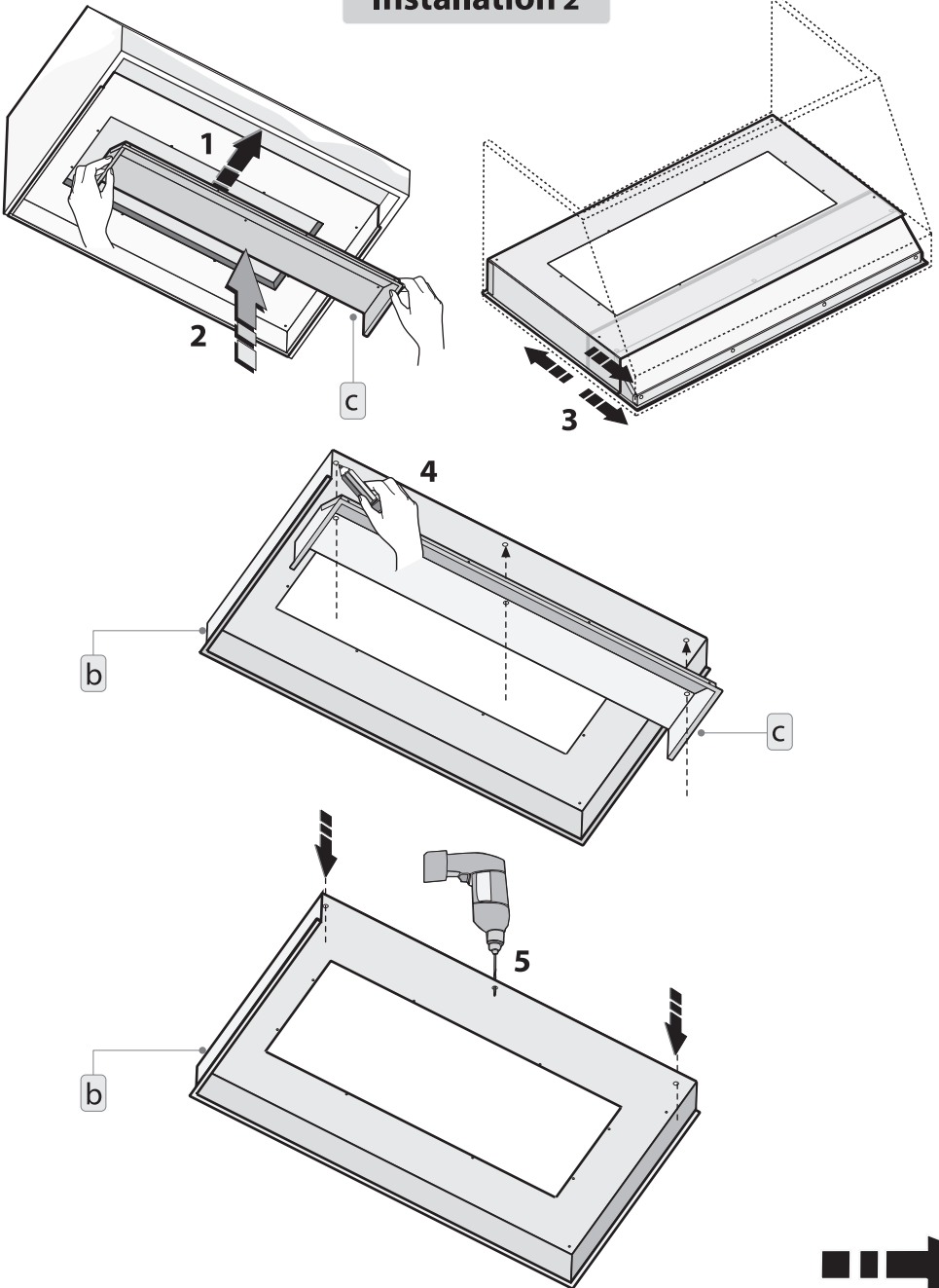
Installation 1



Screws not included
Vis non fournies
Tornillos no incluidos



Installation 2



Screws not included
Vis non fournies
Tornillos no incluidos

