

XO

KITCHEN VENTILATION SYSTEMS



Wall Mount Hood

XOB

The Classic architectural lines that have inspired a revolution in modern hood design. Simple yet elegant a timeless design that will endure in your kitchen for years to come. Quiet and Efficient at an unbelievable price. At XO we believe that good design is something everyone can afford.

XO

www.xoappliance.com

XOB Spec Sheet

Wall Mount Hood

2 YEAR
PARTS & LABOR
WARRANTY

Model: XOB24S, XOB30S, XOB36S, XOB42S

Sizes: 24" 30", 36", 42" **Depth:** 19 3/8"

Features and Benefits:

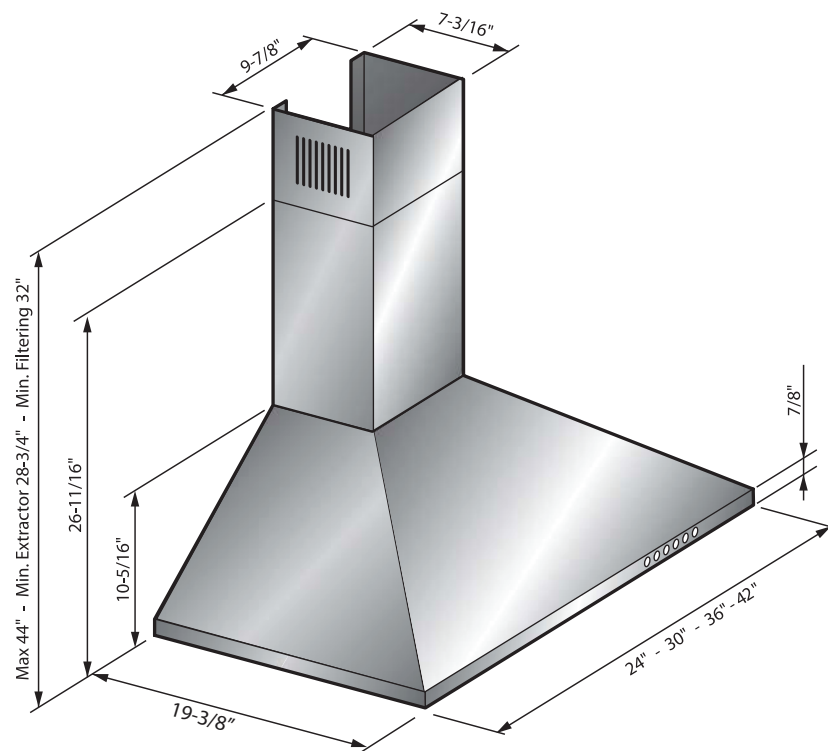
- 600 CFM high velocity blower optimally removes Smoke, Grease and Odors
- 3 speed electronic illuminated controls
- 15 Minute delay off
- Two 50 W Halogen Lights - Provide brilliant illumination over the cooking surface
Fixtures also accommodate GU10 LED bulbs
- High quality Stainless Steel with incomparable handcrafted Italian finish
- Aluminum Mesh Filters - Trap airborne smoke and grease particles. They can be easily be removed for dishwasher-safe cleaning
- Standard Chimney fits ceilings up to 9 ft tall
- Mounting Height from cooking surface 27"-32"
- Sound level 1.8 - 6.5 Sones

Duct Options and Electrical Requirements:

- 6 inch duct required
- Ductless Option for applications where no ducting is available
- AC 115v—60hz (4amp)

Options:

- Optional duct cover extension is available for ceiling heights up to 10 ft tall
Model XOEDCB
- Optional recirculation kit available
Model XORFK04



XO

www.xoappliance.com

XO is Exclusively Distributed by:
Eastern Marketing Corp 24 Eisenhower Parkway Roseland,
New Jersey 07068 800-966-8300
www.easternmarketingcorp.com

All XO hoods are UL approved. 

DESIGNED & CRAFTED IN
ITALY