

XO

KITCHEN VENTILATION SYSTEMS



Insert

XO133KS

The XO1 insert is an integrated blower which allows you to match your custom hood to your kitchen. This simple and affordable design is easy to install. Designed and crafted in Italy for the ultimate in fit and finish. At XO we believe that good design is something everyone can afford.

XO

www.xoappliance.com



Model: XO133KS

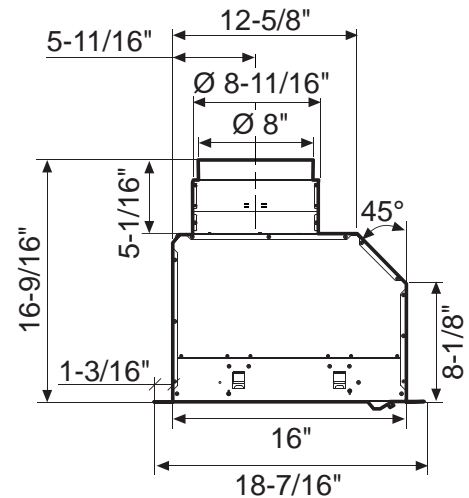
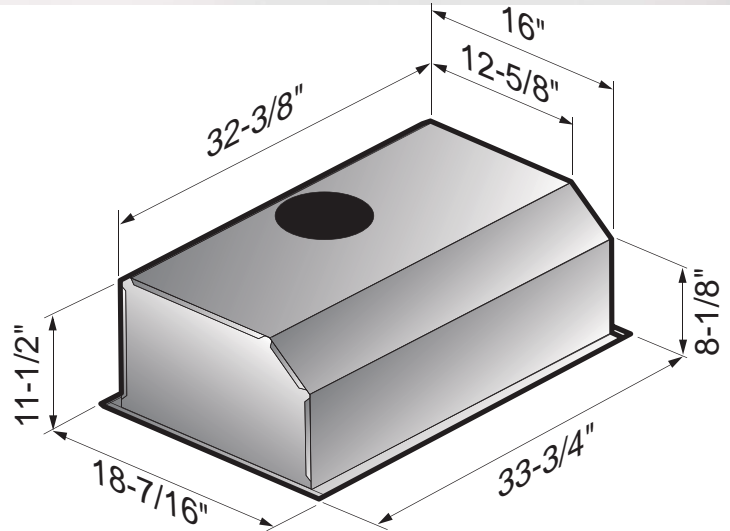
Sizes: 33-3/4" **Depth:** 18-7/16"

Features and Benefits:

- 1000 CFM high velocity blower optimally removes Smoke, Grease and Odors.
- 3 speed push button controls.
- Two 50W Halogen Lights - Provide brilliant illumination over the cooking surface.
- Dim: 33 3/4" W x 18 7/16" D x 11 1/2" T
Cut Out: 32 1/2" W x 16 3/8" D
- Baffle Filters - Trap airborne smoke and-grease particles. They can be easily be removed for dishwasher-safe cleaning.
- Mounting Height from cooking surface 27"-32".
- Sound level 3.0 - 7.9 Sones

Duct Options and Electrical Requirements:

- 8 inch duct required.
- AC 120v-60Hz (6.2amp).



WIDTH	DEPTH	FLOW RATE
34"	19"	1000

