

# XO

## KITCHEN VENTILATION SYSTEMS



Wall Mount Hood

### XOR

The XOR's sleek design is perfect for today's modern kitchen. This contemporary design is a favorite worldwide. Quiet and Efficient at an unbelievable price. At XO we believe that good design is something everyone can afford.

# XO

[www.xoappliance.com](http://www.xoappliance.com)

# XOR Spec Sheet

Wall Mount Hood

**2** YEAR  
PARTS & LABOR  
WARRANTY

**Model:** XOR30S, XOR36S

**Sizes:** 30", 36" **Depth:** 19 3/8"

## Features and Benefits:

- 600 CFM high velocity blower optimally removes Smoke, Grease and Odors
- 3 speed electronic illuminated controls
- 15 Minute delay off
- Two 50 W Halogen Lights - Provide brilliant illumination over the cooking surface
- High quality Stainless Steel with incomparable handcrafted Italian finish
- Aluminum Mesh Filters - Trap airborne smoke and grease particles. They can be easily be removed for dishwasher-safe cleaning
- Telescopic duct cover fits ceilings 8' to 9'
- Mounting Height from cooking surface 27"-32"
- Sound level 1.8 - 6.5 Sones

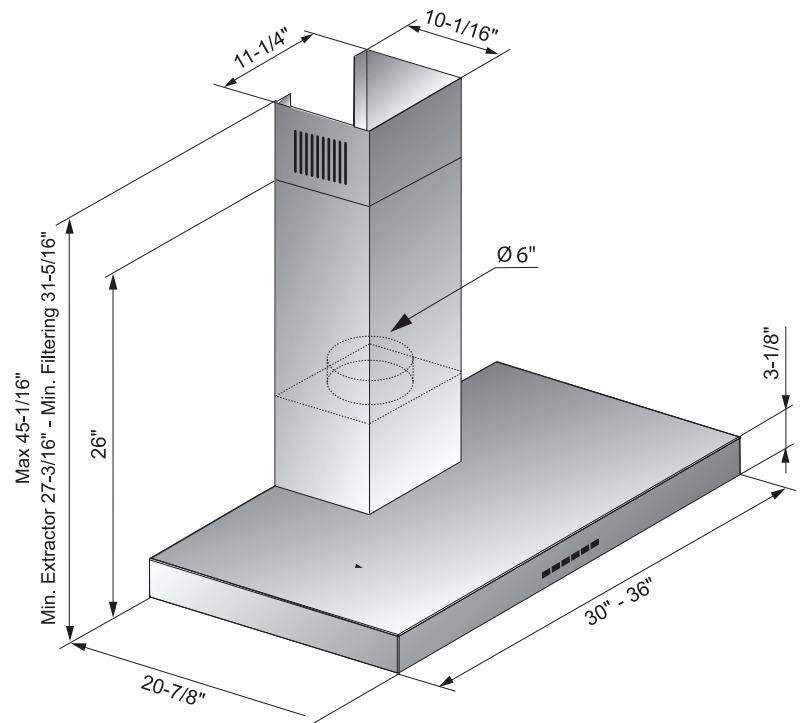
## Duct Options and Electrical Requirements:

- 6 inch duct required
- Ductless Option for applications where no ducting is available
- AC 115v—60hz (4amp)

## Options:

Optional duct cover extension is available for ceiling heights up to 10 ft tall  
30", 36" Part # XOEDCR

Optional recirculation kit available  
30", 36" Part # XORFK01



**XO**

www.xoappliance.com

XO is Exclusively Distributed by:  
Eastern Marketing Corp 24 Eisenhower Parkway Roseland,  
New Jersey 07068 800-966-8300  
www.easternmarketingcorp.com

All XO hoods are UL approved. 

DESIGNED & CRAFTED IN  
**ITALY**