



## KITCHEN VENTILATION SYSTEMS



Wall Mount

### XOS - MUA make-up air compliant

The XOS is a perfect example of Italian design and quality. Beautifully curved front with soft angles make this design a perfect choice without compromising performance. At XO we believe that good design is something everyone can afford.

#### What does Make-Up Air Compliant mean?

For the last several years, codes and standards required Make-Up air for domestic range hoods with exhaust rates exceeding a certain limit.

The International Residential Code Section M1503.4 and the International Mechanical Code Section 505.2 require Make-Up air for all domestic range hoods in excess of 400 cfm.

State, county and local codes may be more restrictive. Always check with your jurisdiction for specific Make-Up air requirements in your area.



**Model:** XOS30SMUA, XOS36SMUA

**Sizes:** 30", 36" **Depth:** 19 11/16"

**Features and Benefits:**

- Make Up Air Compliant - Check Local Codes
- 395 CFM high velocity blower optimally removes Smoke, Grease and Odors
- 3 speed push button controls
- Two 50 W Halogen Lights - Provide brilliant illumination over the cooking surface  
Fixtures also accommodate GU10 LED bulbs
- High quality Stainless Steel with incomparable handcrafted Italian finish
- Aluminum Mesh Filters - Trap airborne smoke and grease particles. They can be easily be removed for dishwasher-safe cleaning
- Telescoping duct cover fits 8' to 9' ceilings
- Mounting Height from cooking surface 27"-32"
- Sound level 1 - 4 Sones

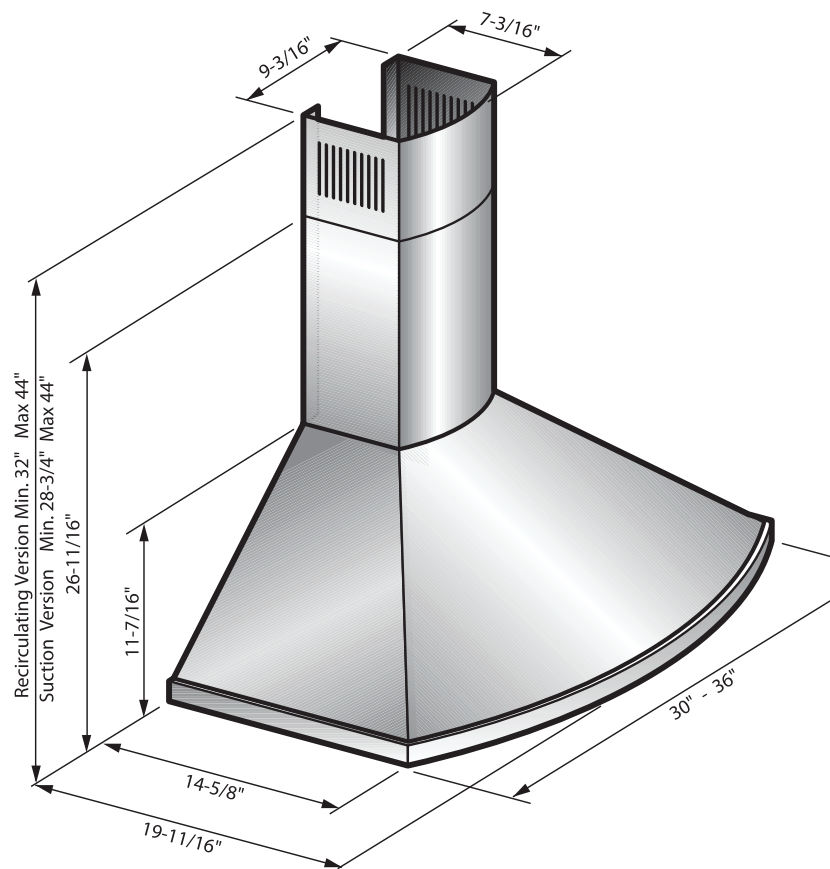
**Duct Options and Electrical Requirements:**

- 6 inch duct required
- Ductless Option for applications where no ducting is available
- AC 115v—60hz (4amp)

**Options:**

Optional duct cover extension is available for ceiling heights up to 10 ft tall  
30", 36" Part # XOEDCS

Optional recirculation kit available  
30", 36" Part # XOFRK05



XO is Exclusively Distributed by:  
Eastern Marketing Corp 24 Eisenhower Parkway Roseland,  
New Jersey 07068 800-966-8300  
www.easternmarketingcorp.com