



KITCHEN VENTILATION SYSTEMS



Wall Mount Hood

XOT1 8-K

The XOTK exemplifies the classic American Pro Hood design. This high performance under cabinet hood includes baffle filters. Our superior quality materials and workmanship make this hood a standout among the rest. As with all XO ventilation a recirculation kit is also available.



XOT18-K 1000 CFM spec sheet

Wall Mount Hood

2 YEAR
PARTS & LABOR
WARRANTY

Model: XOT1836KS - XO1848KS

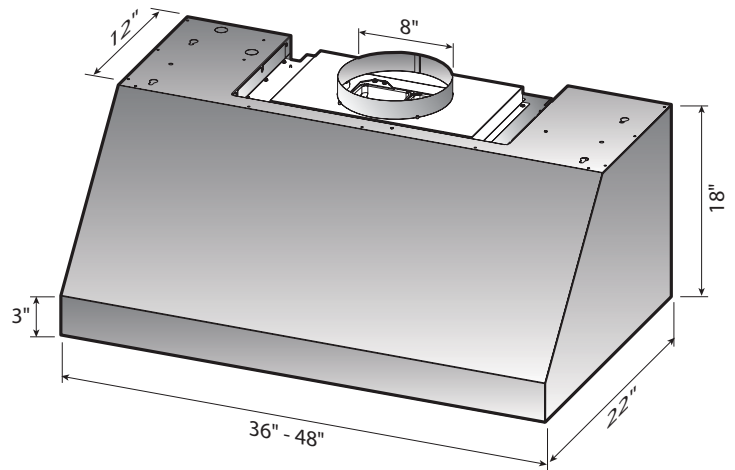
Sizes: 36" - 48" **Depth:** 22"

Features and Benefits:

- 1000 CFM high velocity blower optimally removes Smoke, Grease and Odors.
- 3 speed push button controls.
- 50W Halogen Lights provide brilliant illumination over the cooking surface (2 on 36" unit - 3 on 48" unit)
- Dimensions: 36" W x 22" D x 18" T.
or 48" W x 22" D x 18" T.
- Baffle Filters - Trap airborne smoke and grease particles. They can be easily be removed for dishwasher-safe cleaning.
- Mounting Height from cooking surface 27"-32".
- Sound level 2.0 - 8.0 Sones

Duct Options and Electrical Requirements:

- 8 inch round duct
- AC 120v-60Hz (4.35amp)



XO

www.xoappliance.com

XO is Exclusively Distributed by:
Eastern Marketing Corp 24 Eisenhower Parkway Roseland,
New Jersey 07068 800-966-8300
www.easternmarketingcorp.com

All XO hoods are UL approved. 

DESIGNED & CRAFTED IN
ITALY