



KITCHEN VENTILATION SYSTEMS



Wall Mount Hood

XOT18

The XOT18 exemplifies the classic American Pro Hood design. This high performance under cabinet hood includes baffle filters. Our superior quality materials and workmanship make this hood a standout among the rest. As with all XO ventilation a recirculation kit is also available.



XOT18 Spec Sheet

Wall Mount Hood

2 YEAR
PARTS & LABOR
WARRANTY

Model: XOT1830S - XOT1836S

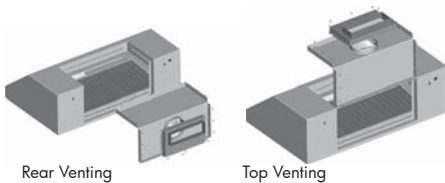
Sizes: 30" - 36" **Depth:** 22"

Features and Benefits:

- 600 CFM high velocity blower optimally removes Smoke, Grease and Odors.
- 3 speed push button controls.
- Two 50W Halogen Lights - Provide brilliant illumination over the cooking surface.
- Dimensions: 30" W x 22" D x 18" Tall.
or 36" W x 22" D x 18" Tall.
- Baffle Filters - Trap airborne smoke and grease particles. They can be easily be removed for dishwasher-safe cleaning.
- Mounting Height from cooking surface 27"-32".
- Sound level 1.8 - 6.5 Sones

Duct Options and Electrical Requirements:

- 6 inch round can be converted to 3 1/4" x 10" Top to Rear Venting



- Ductless Option for applications where no ducting is available
- AC 120v-60Hz (4.35amp)

Options:

- Optional recirculation kit available
30" Part # XORFK07
36" Part # XORFK08

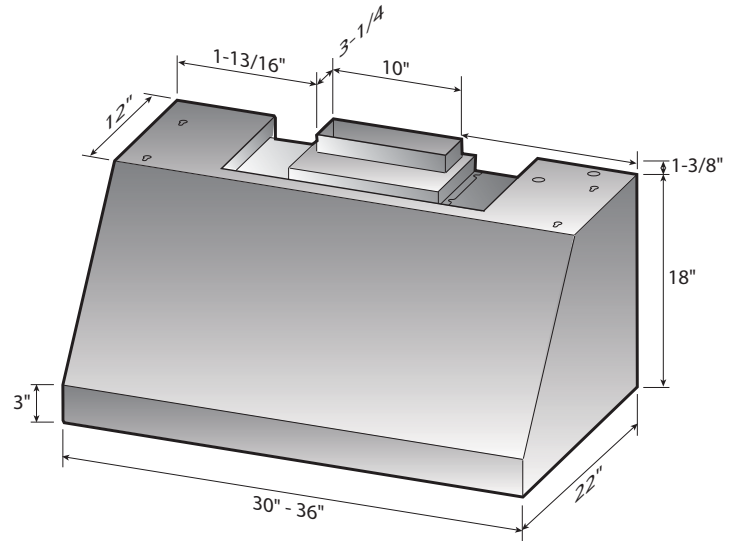


Photo below shown with recirculation kit.
Total height 20 1/4"



XO

www.xoappliance.com

XO is Exclusively Distributed by:
Eastern Marketing Corp 24 Eisenhower Parkway Roseland,
New Jersey 07068 800-966-8300
www.easternmarketingcorp.com

All XO hoods are UL approved.

DESIGNED & CRAFTED IN

ITALY